



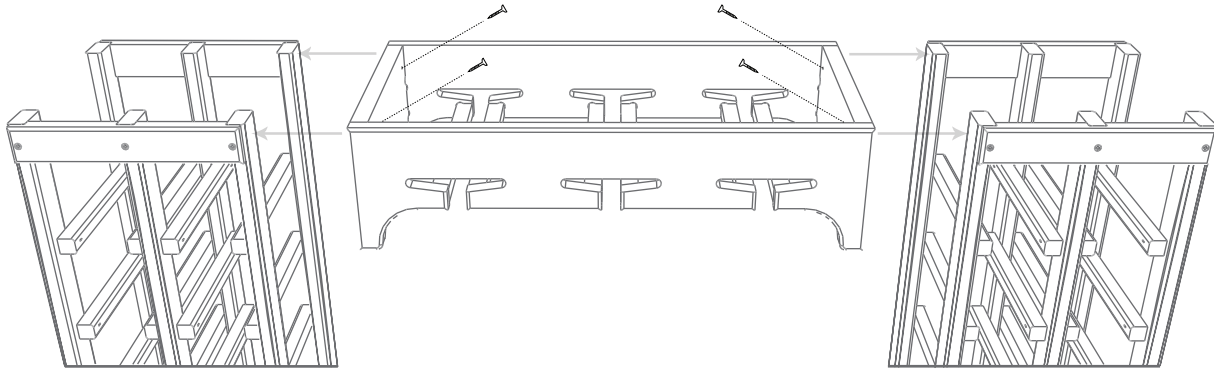
WINE GLASS RACKS ASSEMBLY GUIDE

Page 1

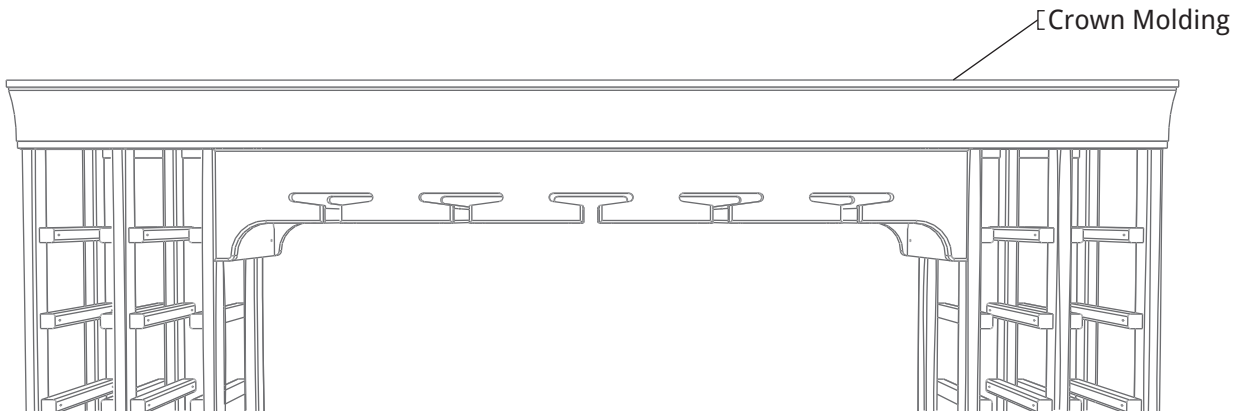
Questions?
888.373.6057

or visit
wineracksamerica.com

1A. Whether or not you are installing crown molding will determine where you hang your glass rack. If you are NOT going to install molding, mount the glass rack so that the top edges of the wine racks align with the top edge of the glass rack. To install, use a screwdriver or cordless drill to drive screws through the glass rack into the cellar risers. Use the pre-drilled holes on the inside walls of the glass rack to guide your screws.



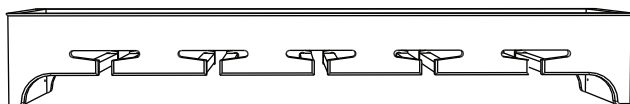
1B. If you ARE installing crown molding, mount the glass rack flush underneath the molding. Follow the same installation process shown in step 1A.



PACKAGE CONTENTS

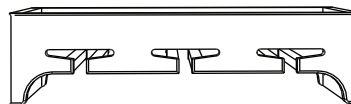
Depending on the model you purchased, your bundle should contain the following:

LARGE GLASS RACK



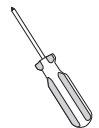
or

SMALL GLASS RACK



WOOD SCREWS

TOOLS FOR ASSEMBLY



Screwdriver

or



Cordless Drill