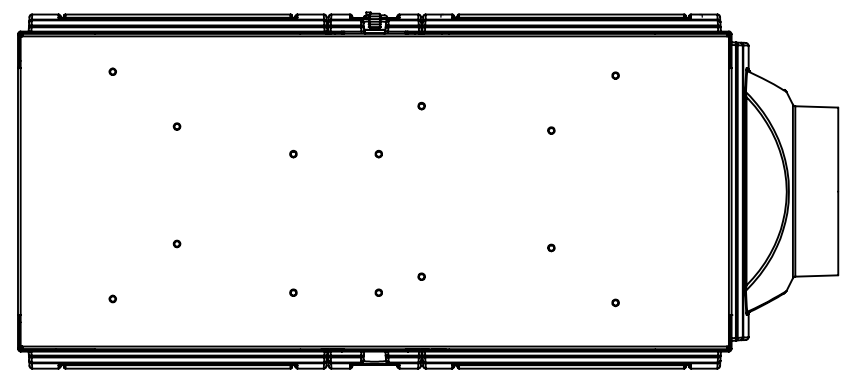
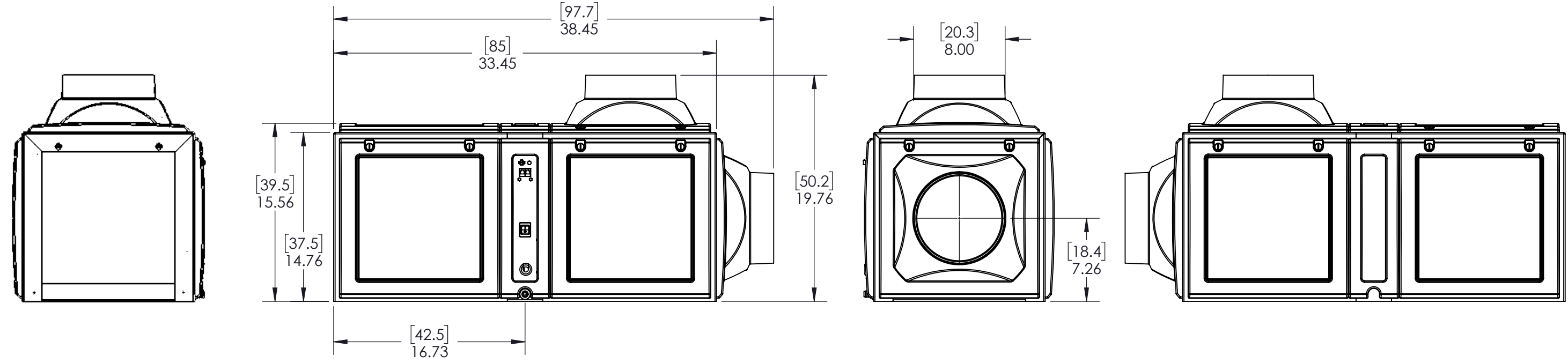
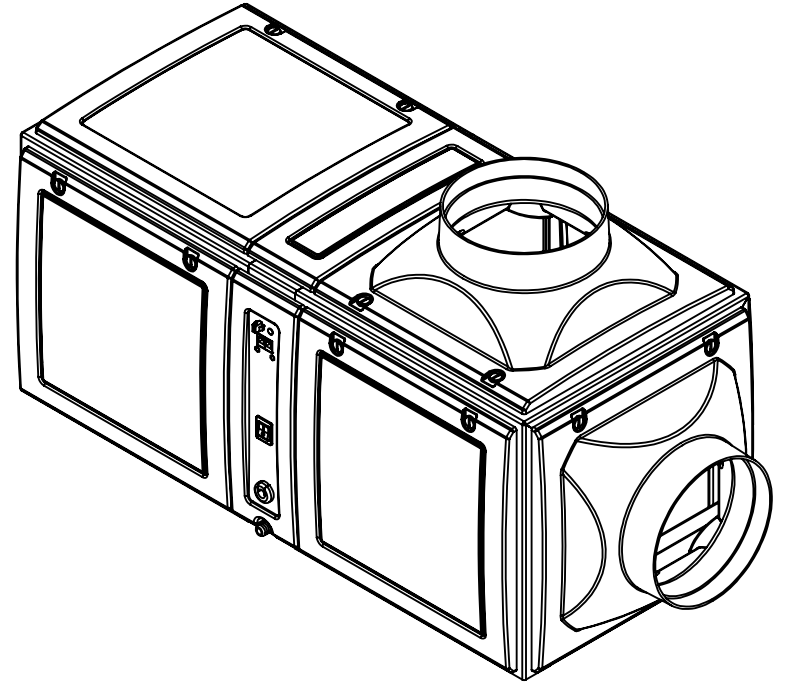
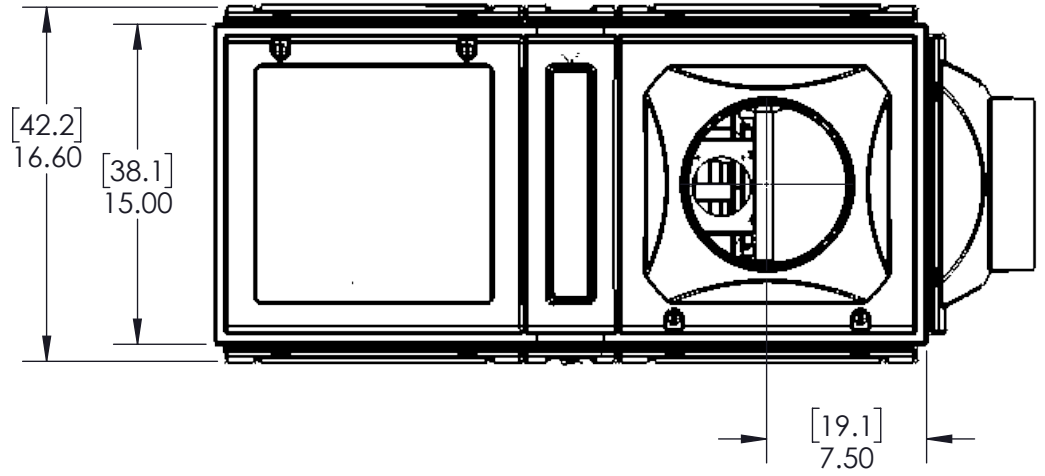


8 7 6 5 4 3 2 1

D
C
B
A

D
C
B
A



8 7 6 5 4 3 2 1

DIMENSIONS SHOWN WITH [] ARE CM

| | | | |
|--------------------------------------|-----------|------|----------|
| UNLESS OTHERWISE SPECIFIED: | | NAME | DATE |
| DIMENSIONS ARE IN INCHES | DRAWN | MAF | 03/05/21 |
| TOLERANCES: | CHECKED | | |
| FRACTIONAL ± 1/16 | ENG APPR. | | |
| ANGULAR: MACH ± 2 BEND ± 2 | MFG APPR. | | |
| TWO PLACE DECIMAL ± .03 | | | |
| THREE PLACE DECIMAL ± .015 | | | |
| INTERPRET GEOMETRIC TOLERANCING PER: | MATERIAL | | |
| COMMENTS: | MODEL: | | |
| - | | | |
| DO NOT SCALE DRAWING | | | |



7000 PERFORMANCE DRIVE, SYRACUSE, NY 13212, Tel. 315-452-7400

TITLE: 1/4 TON DUCTED AIR COOLED NEXT GEN WG

| | | |
|------|-------------------|-----|
| SIZE | DWG. NO. | REV |
| B | 99H0250-20 PATENT | ~ |

SHEET 1 OF 2