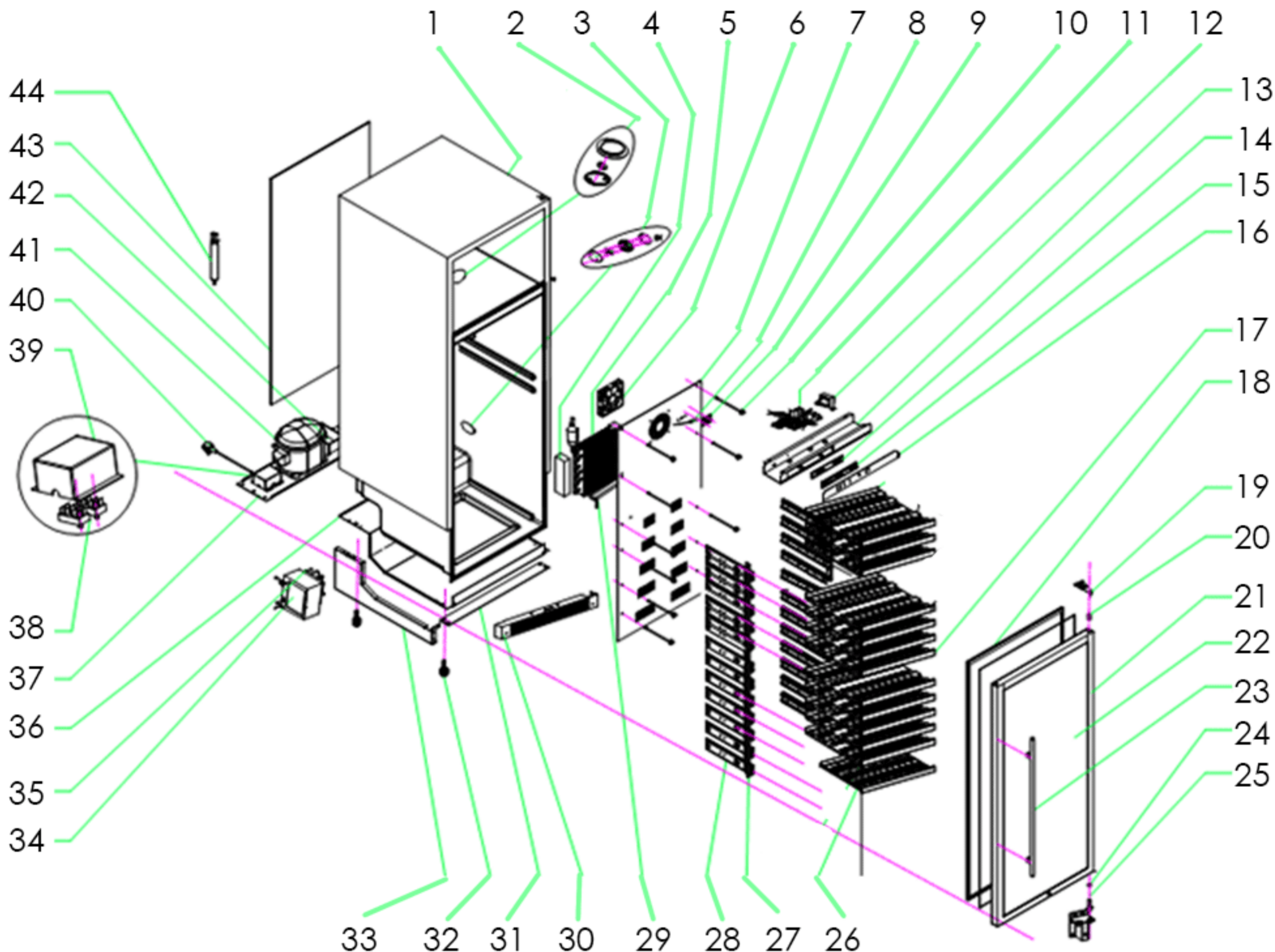


VSWR177-1



- | | | | | | |
|----|--------------------------|------------|----|-------------------|--------------|
| 1 | Body | | 25 | Lower Hinge | V-BHINGE1 |
| 2 | Top LED Set | V-TOPLED | 26 | Small rack | V-BRACK1 |
| 3 | Side LED Set | V-SIDELED | 27 | Shelf Bracket | |
| 4 | Foam | | 28 | Shelf Guide | V-ROLLERST |
| 5 | Evaporator | V-EVAP1 | 29 | Water tank | |
| 6 | Fan | V-BIGFAN1 | 30 | Right Hinge Grill | V-GRILL1 |
| 7 | Inner clapboard | | | Left Hinge Grill | V-GRILL2 |
| 8 | Sensor | V-SENSOR2 | 31 | Front-crossband | |
| 9 | Sensor Cover | V-SENCOVR | 32 | Adjustable Foot | V-FOOT1 |
| 10 | Screw | | 33 | Reinforce iron | |
| 11 | Main Board | V-MAIN2 | 34 | Condenser | V-COND1 |
| 12 | Transformer | V-TRANS1 | | | |
| 13 | Electrical equipment box | | 35 | Fan | V-BIGFAN2 |
| 14 | Control Panel | V-DISP1 | 36 | Bottom plate | |
| 15 | Plastic Button | V-PBUTTON1 | 37 | Splint | |
| 16 | Display Sticker | V-STICKER1 | 38 | Wire block | |
| 17 | Big Rack | V-MRACK1 | 39 | Wire box | |
| 18 | Door seal | V-DSEAL1 | 40 | Power cable | |
| 19 | Right Top Hinge | V-THINGE1 | 41 | Compressor | V-COMP4 |
| | Left Top Hinge | V-THINGE2 | 42 | Water tank | V-CONPAN |
| 20 | Door Spindle Sleeve | V-SPINDLE | 43 | Base plate | |
| 21 | Door frame | | 44 | Dry filter | V-FILTER |
| 22 | Glass | | 45 | Lock | V-LOCK |
| 23 | Handle | | 46 | Evaporator Sensor | V-EVAPSENSOR |
| 24 | Gasket | | | | (not shown) |