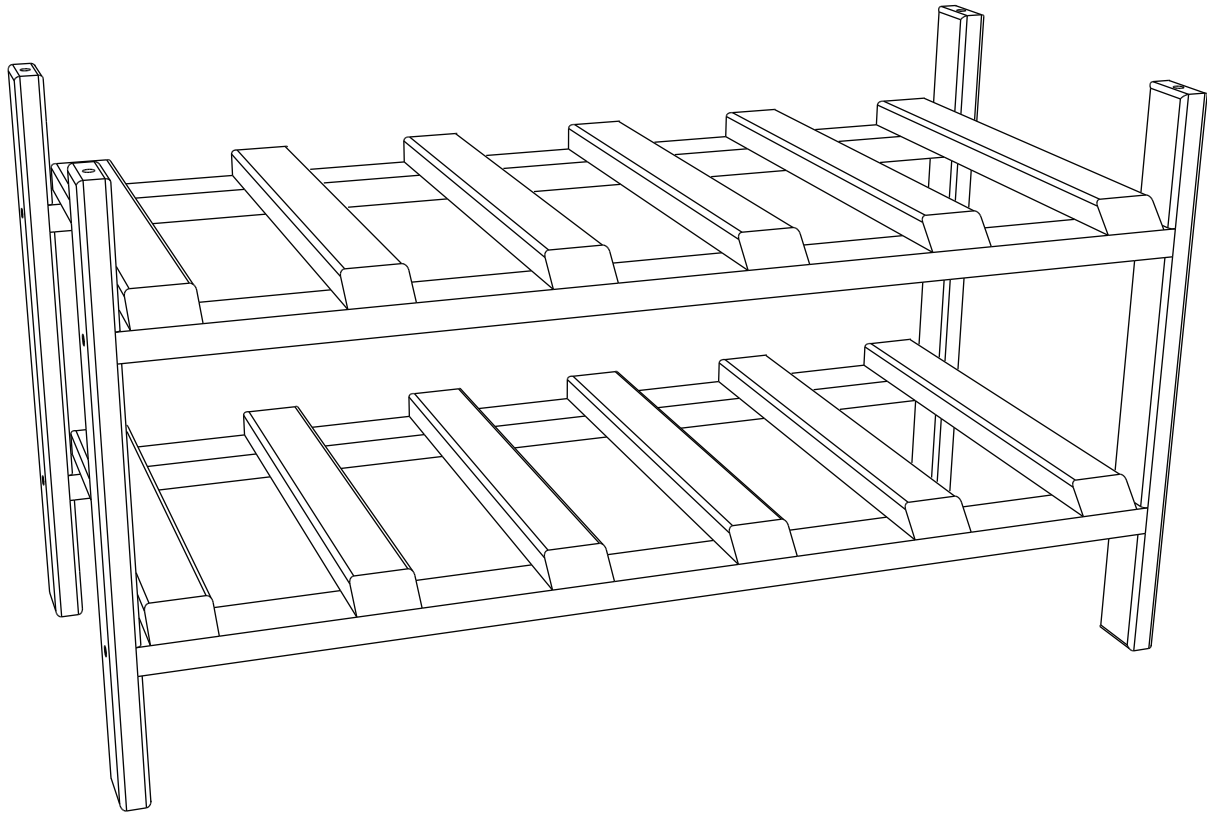




MAGNUM STACKABLE ASSEMBLY GUIDE

Questions?
888.373.6057

or visit
wineracksamerica.com



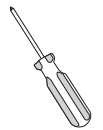
PACKAGE CONTENTS

*Please verify that you have the correct number of parts before proceeding.
Depending on the model you purchased, your bundle should contain the following:

RACK	SHELF PIECE	LEG SUPPORT	WOOD SCREWS	WOOD DOWELS
10 bottle	2	4	8	4
20 bottle	4	8	16	4
30 bottle	6	12	24	8
40 bottle	8	16	32	12

TOOLS FOR ASSEMBLY

Required

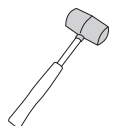


Screwdriver

Suggested

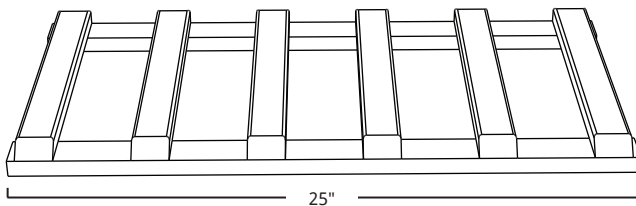


Cordless Drill

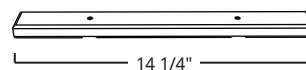


Rubber Mallet

SHELF PIECE



LEG SUPPORT



WOOD SCREWS



WOOD DOWELS



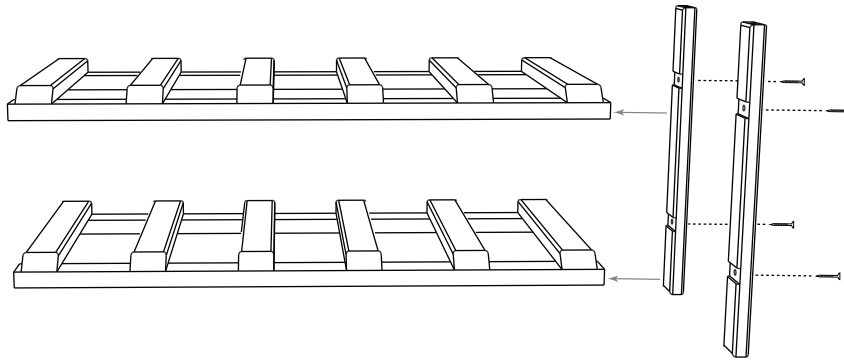
MAGNUM STACKABLE ASSEMBLY GUIDE

Questions?
888.373.6057
or visit
wineracksamerica.com

Page 2

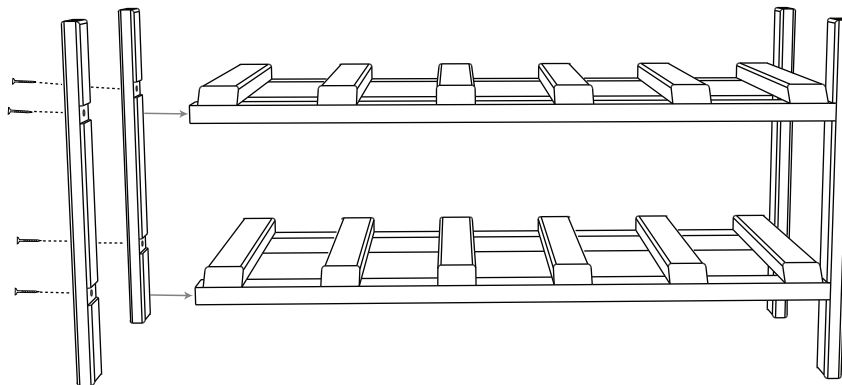
1. Find an open, flat area in which to work. Carefully remove all components from the box and remove banding with a utility knife. Check the parts list to verify package contents.
2. Orient each shelf piece with all of the slanted bottle supports facing the same direction. Using the provided wood screws, attach 2 leg supports to the end of each shelf piece. Make sure the end of the leg support is flush with the end of the shelf piece. (figure 1)

1 ATTACH LEG SUPPORTS



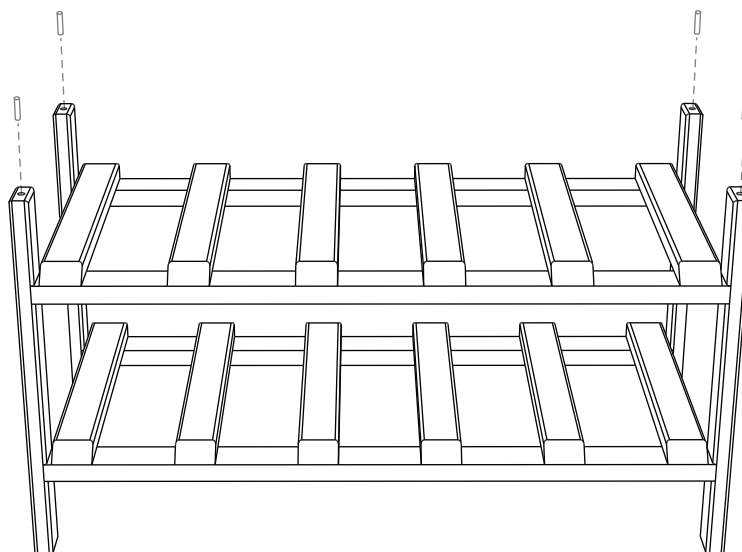
3. Attach the remaining 2 leg supports to the ends of the shelf pieces on the opposite end. (figure 2)

2 ATTACH REMAINING LEG SUPPORTS



4. If you purchased more than one stackable rack, stack each rack together using the provided wood dowels. Simply push the dowels into each notch on the top of your rack. If necessary, use a rubber mallet to sink the dowels into place. (figure 3)

3 INSERT WOOD DOWELS





MAGNUM STACKABLE ASSEMBLY GUIDE

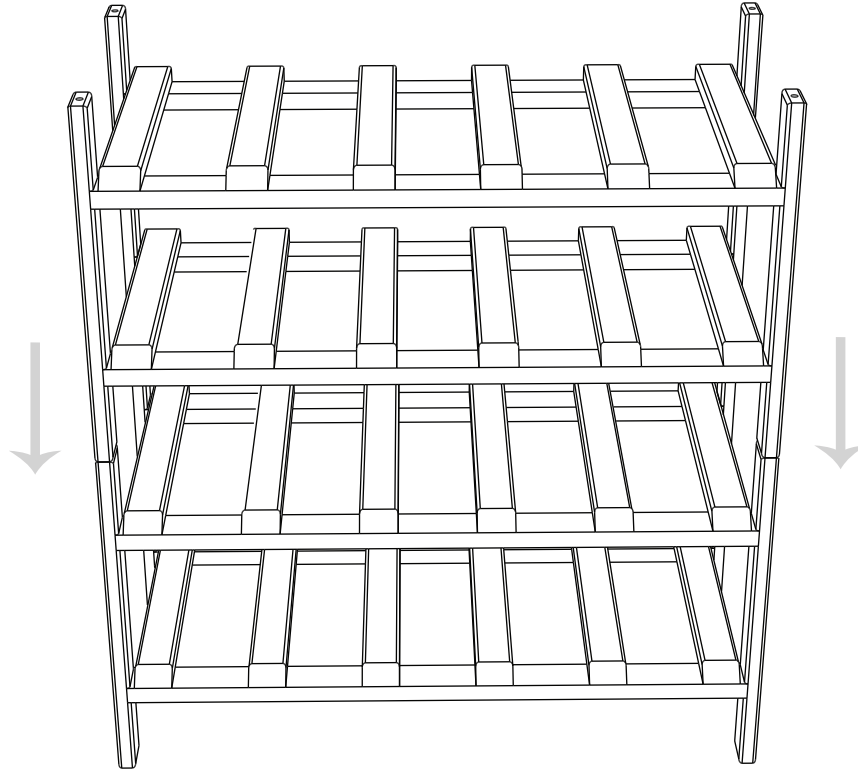
Page 3

Questions?
888.373.6057

or visit
wineracksamerica.com

5. Line up the holes on the upper rack and carefully press into place. Use a rubber mallet if necessary. Repeat this step for all remaining stackable racks. (figure 4)

4 ATTACH RACKS
TOGETHER



6. That's it! Enjoy this beautiful rack with your favorite beverage. Pair with other rack styles for an ultimate cellar storage look.



WINERACKSAMERICA.COM

We would love to see your wine racks in use! Please feel free to send any photos of your racks to photos@wineracksamerica.com

Once again, thank you for your business. Remember, customer service is available to answer any questions Monday-Friday 7:00 am - 5:00 pm MST. Please feel free to contact us for any wine storage needs.

360 North 700 West Suite F • North Salt Lake, UT 84054
(toll free) 888-373-6057
(fax) 801-936-0534