



# ASSEMBLY INSTRUCTIONS

## Rectangular Bin / Case Rack

WRA61440, WRA61441, WRA61442

Questions?

Toll free 1-888-373-6057 or visit [www.wineracksamerica.com](http://www.wineracksamerica.com)



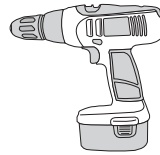
Thank you and CONGRATULATIONS for purchasing this quality product. Properly assembled, your racking will beautifully enhance your wine collection for many years to come. To assemble, please check to ensure all necessary parts are included and follow the assembly instructions closely. If you have any questions or problems please call customer service toll free 1-888-373-6057 Monday through Friday 7:00 am - 5:00pm MST.



### Planning to stain?

For best results we recommend you stain or finish your racking BEFORE assembly.

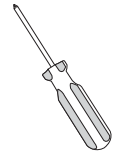
### Tools For Assembly:



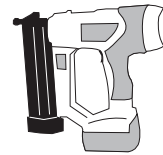
Cordless Drill



Utility Knife

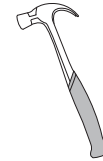


Screwdriver



Finish Nailer

OR



Hammer

+

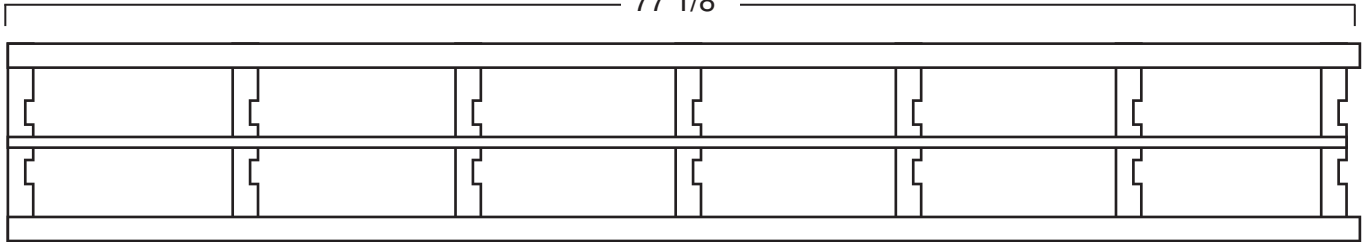


Nail Setter

## PARTS LIST

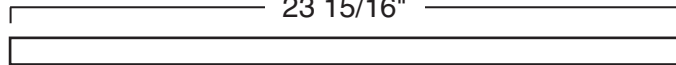
[x2] Full Length Vertical Ladder Assembly

77 1/8"



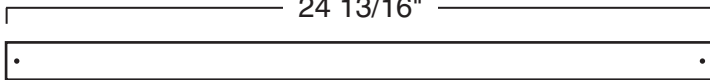
[x14] Middle Support

23 15/16"



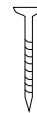
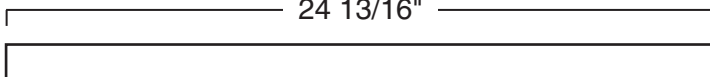
[x9] Standard Horizontal Connectors

24 13/16"

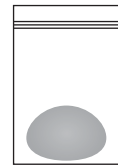


[x5] Screwless Horizontal Connectors

24 13/16"



[x18] 1 1/4" WOOD SCREWS



SMALL BAG OF WOOD PUTTY



[x10] FINISH NAILS

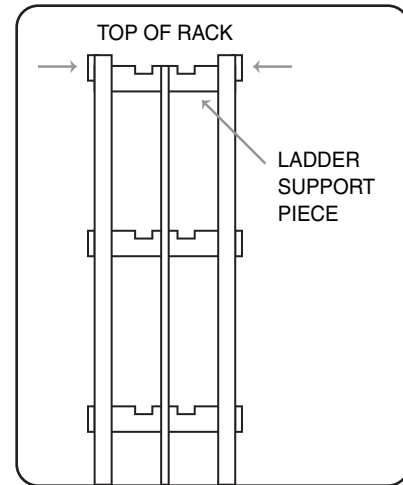
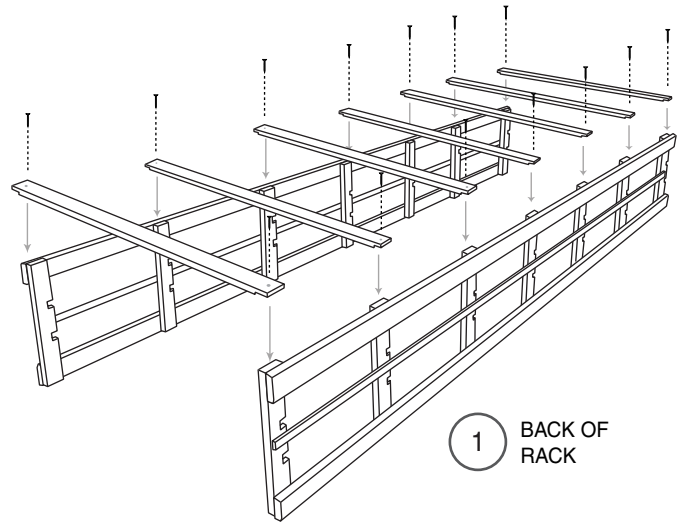
\* PLEASE FOLLOW WRITTEN INSTRUCTIONS CAREFULLY

1. Find an open, flat area in which to work. Carefully remove all components from the box and remove banding with a utility knife. Check the parts list to verify package contents.

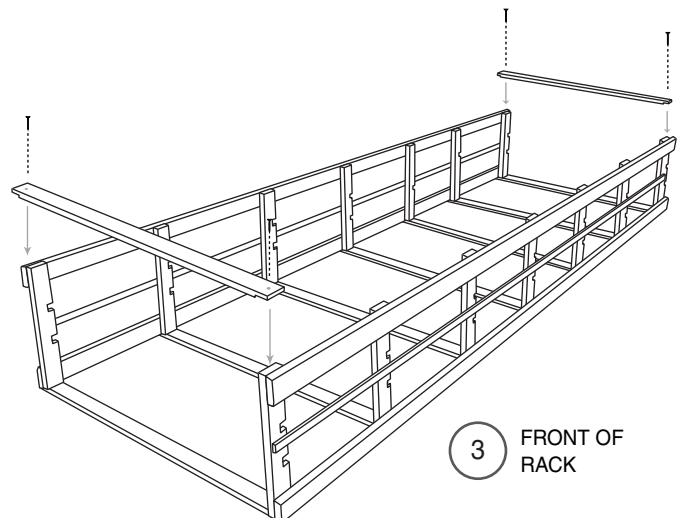
2. Orient the two vertical ladder assemblies on the floor as shown, then attach 7 standard horizontal connectors to the vertical ladders using the 1 1/4" screws provided. The top & bottom connector should fit flush with the top & bottom of the rack. **This will be the back of your rack.** (figure 1)

**Note:** The top connector will not line up with the ladder support piece near the top of the rack. It should be flush with the top of the rack and sit about 3/8" above the support piece. This is to allow for easy install of our top shelving in our trim-kit system. (figure 2)

\*Minimize the risk of splitting your side ladders by drilling a 1/16" pilot hole before driving the wood screws. For best results, drive the screw most of the way in with your drill, then finish tightening by hand.



3. Flip rack over and repeat step two for securing the remaining 2 standard connectors to the top and bottom of the front of your rack. (figure 3)

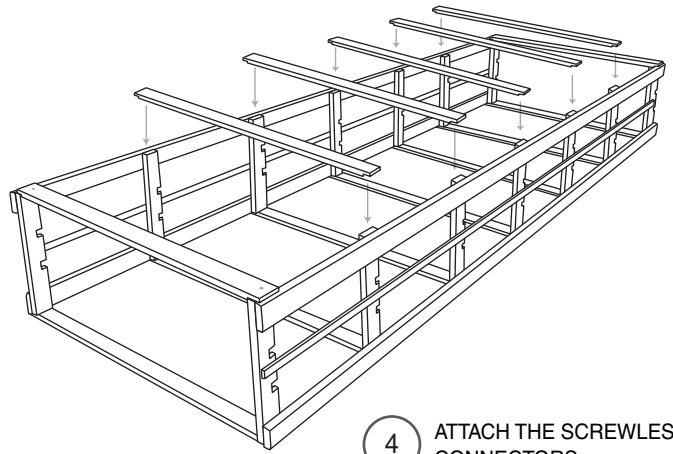


- Attach the middle screwless connectors so that the top edge of the connectors fit flush with the ladder support pieces on each vertical ladder. Make sure the rack is flat on the floor while attaching the screwless connectors. (figure 4)

Secure the screwless connectors using a finish nail gun to drive a finish nail through the connector into each vertical ladder. (figure 5)

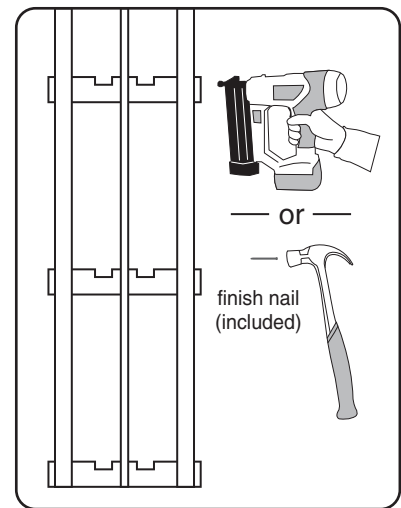
If you do not have a finish nail gun, drive one of the provided finish nails into each vertical ladder until it is flush. Then, countersink the nail using a nail setter until the head of the nail is about 1/16" below the surface of the wood.

- Fill the nail holes using the wood putty provided. Simply push the putty into each hole using your thumb and wipe excess putty off the surface using a damp cloth.



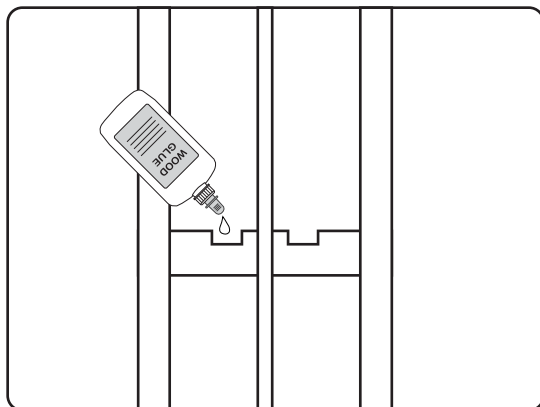
4 ATTACH THE SCREWLESS CONNECTORS

5 SECURE WITH FINISH NAILS



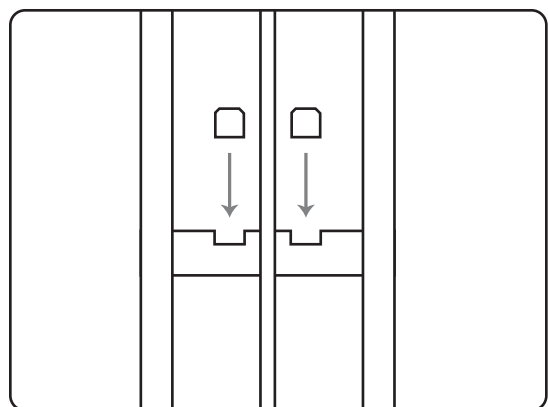
- Place a dab of wood glue into each notch of the ladder support pieces. (figure 6)

Place the (14) middle supports into place so that each edge of each middle support is flush with the edge of each ladder support. (figure 7)



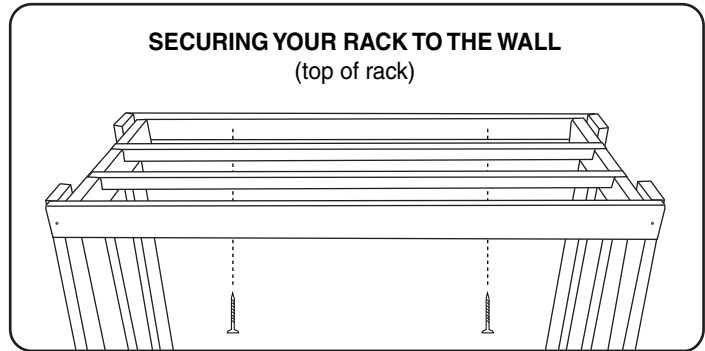
6

SECURING THE MIDDLE SUPPORTS



7

7. Stand your rack upright. Anchor the rack to a stabilizing surface (wall, ceiling, another rack) by driving two or more 2 1/2" screws through one or more of the connectors. (figure 8)



8

8. That's it! Enjoy this beautiful rack with your favorite beverage. Pair with other rack styles for an ultimate cellar storage look.



fully assembled  
front view



**WINE RACKS AMERICA**

360 N 700 W suite F • North Salt Lake, UT 84054  
(toll free) 888-373-6057  
(fax) 801-936-0534

[WineRacksAmerica.com](http://WineRacksAmerica.com)

Once again thank you for your business. Remember, customer service is available to answer your questions M-F 7:00 am - 5:00 pm MST. Please feel free to contact us for any wine storage need.