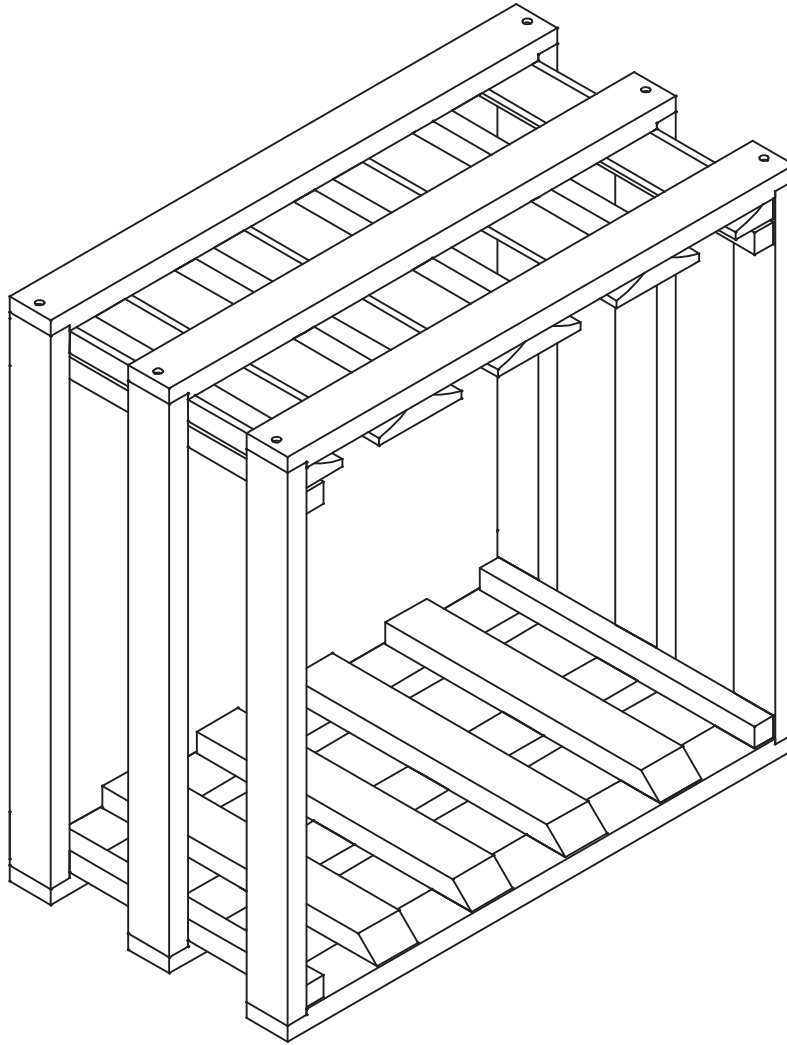




LATTICE CUBE - STEMWARE ASSEMBLY GUIDE

Page 1

Questions?
888.373.6057
or visit
wineracksamerica.com



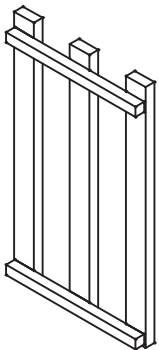
SCAN FOR
ASSEMBLY VIDEO



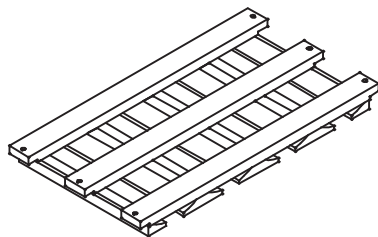
PACKAGE CONTENTS

*Please verify that you have the correct number of parts before proceeding.
Depending on the model you purchased, your bundle should contain the following:

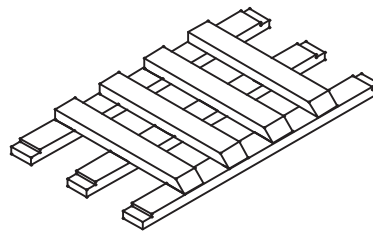
SIDE LADDERS (X2)



TOP PANEL



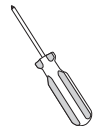
BOTTOM PANEL



WOOD SCREWS

TOOLS FOR ASSEMBLY

Required



Screwdriver

Suggested



Cordless Drill



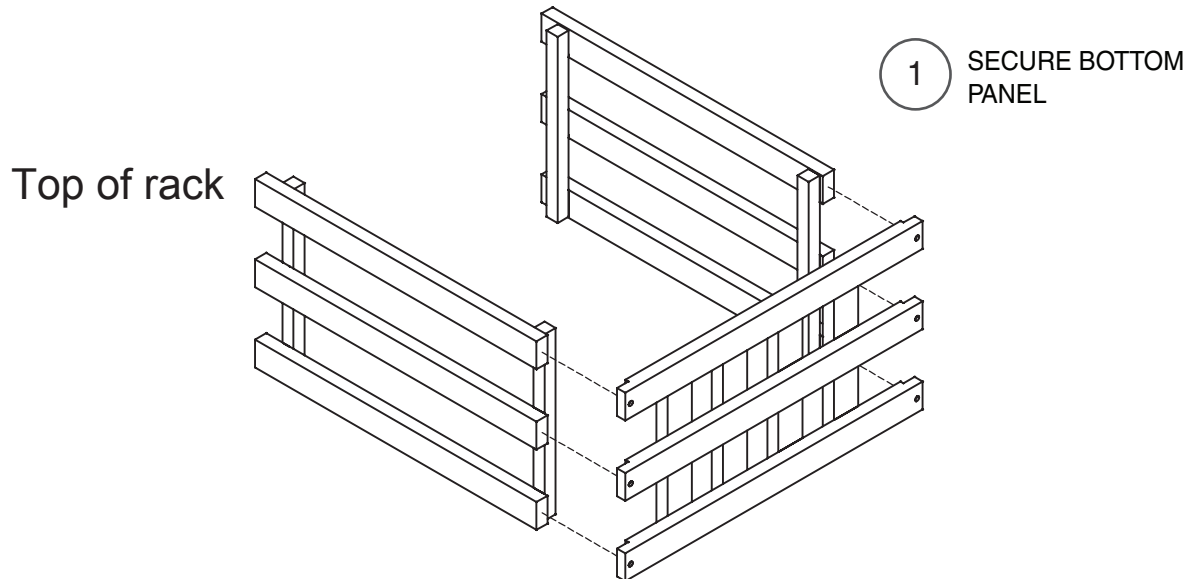
LATTICE CUBE - STEMWARE ASSEMBLY GUIDE

Questions?
888.373.6057

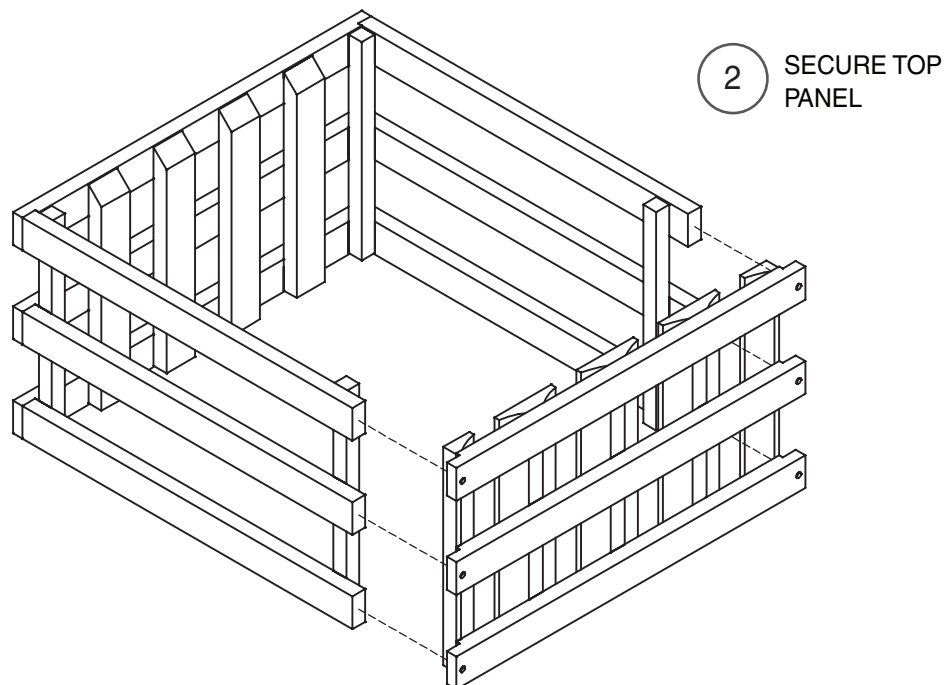
or visit
wineracksamerica.com

Page 2

1. Find an open, flat area in which to work. Carefully remove all components from the box and remove banding with a utility knife. Check the parts list to verify package contents.
2. Secure the bottom panel to the bottom of each side ladder using the provided wood screws. The end with the larger gap is the top of your rack. (figure 1)



-
3. Attach the top panel to the top of each side ladder using the provided wood screws. (figure 2)



4. That's it! Fill with your favorite stemware and vintage. Stack multiple cubes for a true wine cellar look.