

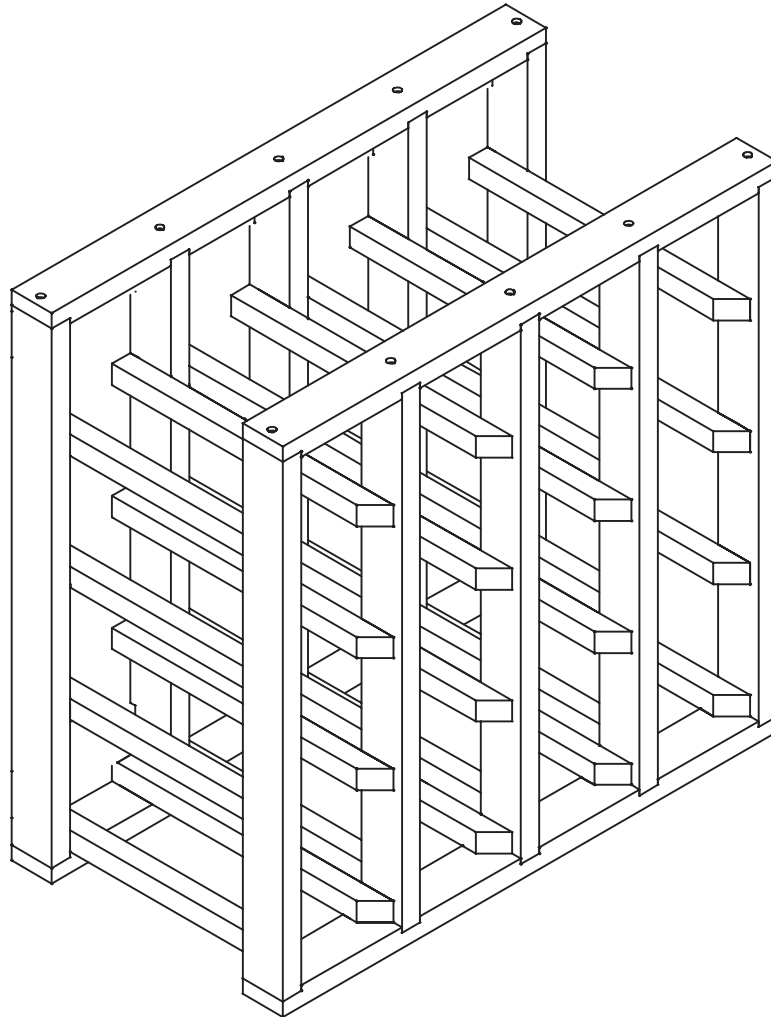


LATTICE CUBE - CUBICLE ASSEMBLY GUIDE

Page 1

Questions?
888.373.6057

or visit
wineracksamerica.com



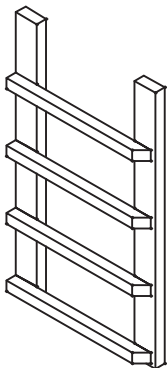
SCAN FOR
ASSEMBLY VIDEO



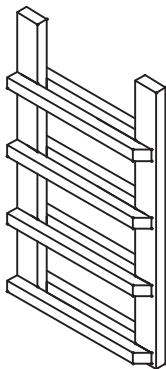
PACKAGE CONTENTS

*Please verify that you have the correct number of parts before proceeding.
Depending on the model you purchased, your bundle should contain the following:

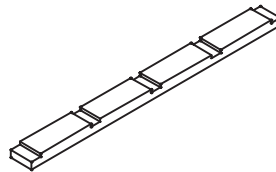
SIDE LADDERS (X2)



MIDDLE
LADDERS (X3)



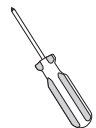
TOP/BOTTOM CONNECTOR (X4)



WOOD SCREWS

TOOLS FOR ASSEMBLY

Required



Screwdriver

Suggested



Cordless Drill



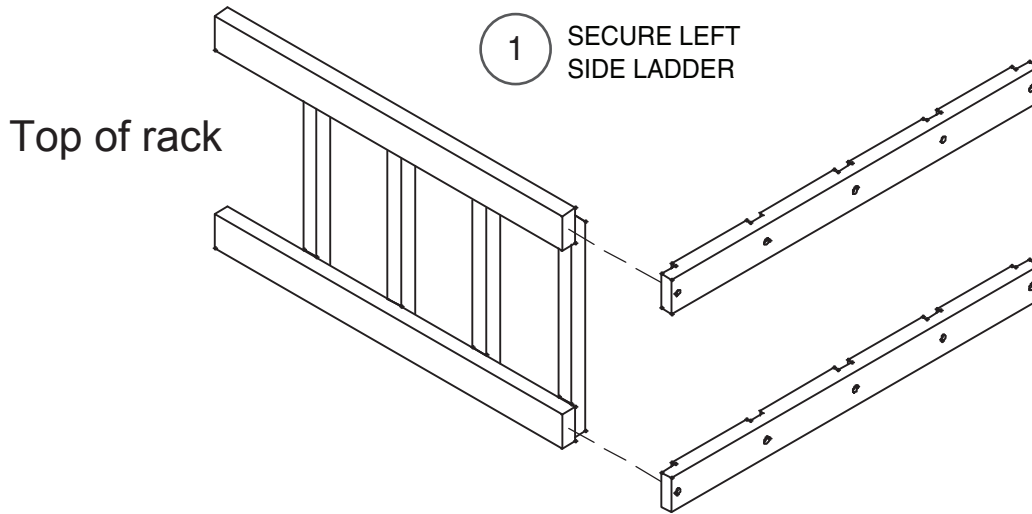
LATTICE CUBE - CUBICLE ASSEMBLY GUIDE

Questions?
888.373.6057

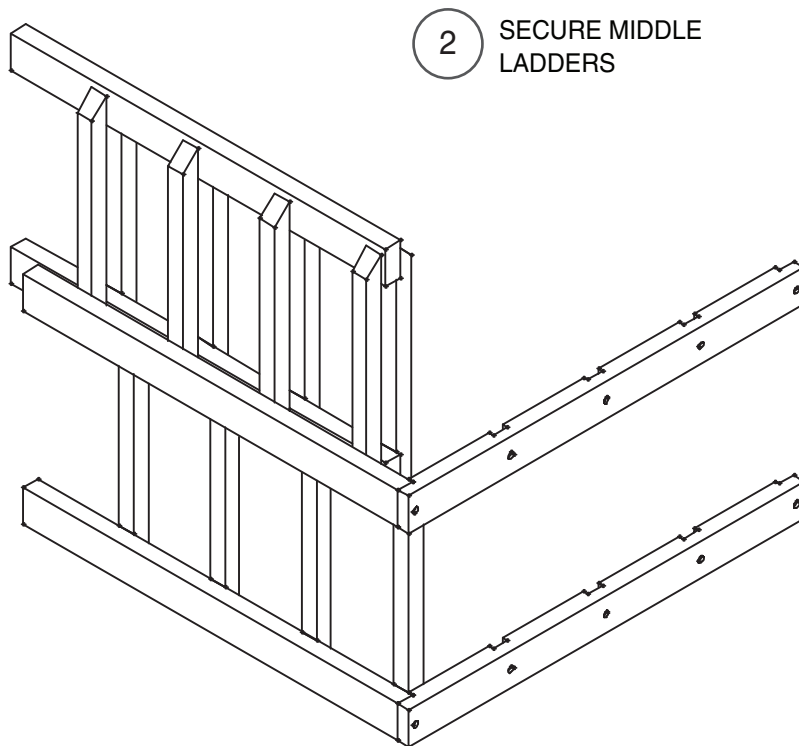
or visit
wineracksamerica.com

Page 2

1. Find an open, flat area in which to work. Carefully remove all components from the box and remove banding with a utility knife. Check the parts list to verify package contents.
2. Secure 2 Top/Bottom Connectors to the bottom of the Left Side Ladder using the provided wood screws. (figure 1)



-
3. Attach the middle ladders to the bottom connectors using the screws provided. Make sure the angled bottle supports are all facing the same direction. (figure 2)





LATTICE CUBE - CUBICLE ASSEMBLY GUIDE

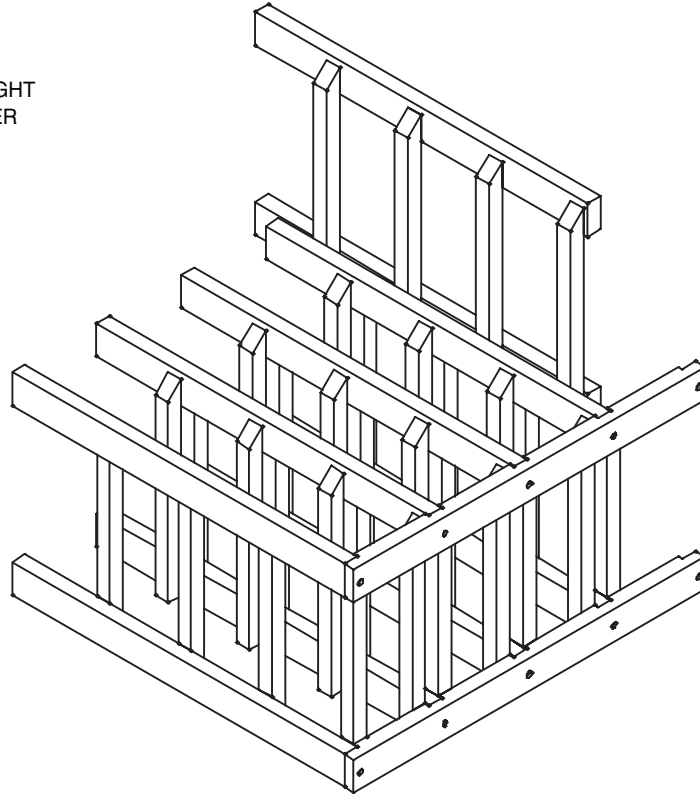
Questions?
888.373.6057

or visit
wineracksamerica.com

Page 3

4. Secure the Right Side Ladder to the bottom connectors using the provided screws. (Figure 3)

3 SECURE RIGHT
SIDE LADDER



4. Attach the top connectors to the ladders using the screws provided. (Figure 4)

4 ATTACH TOP
CONNECTORS

